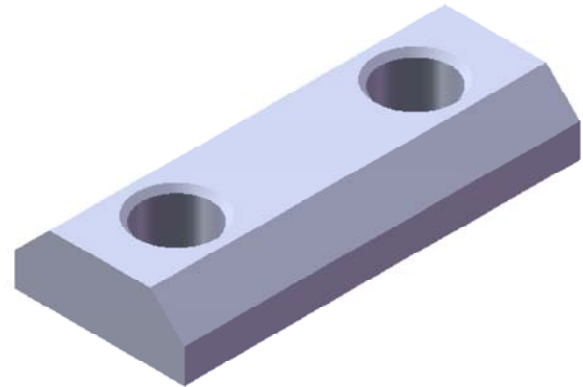
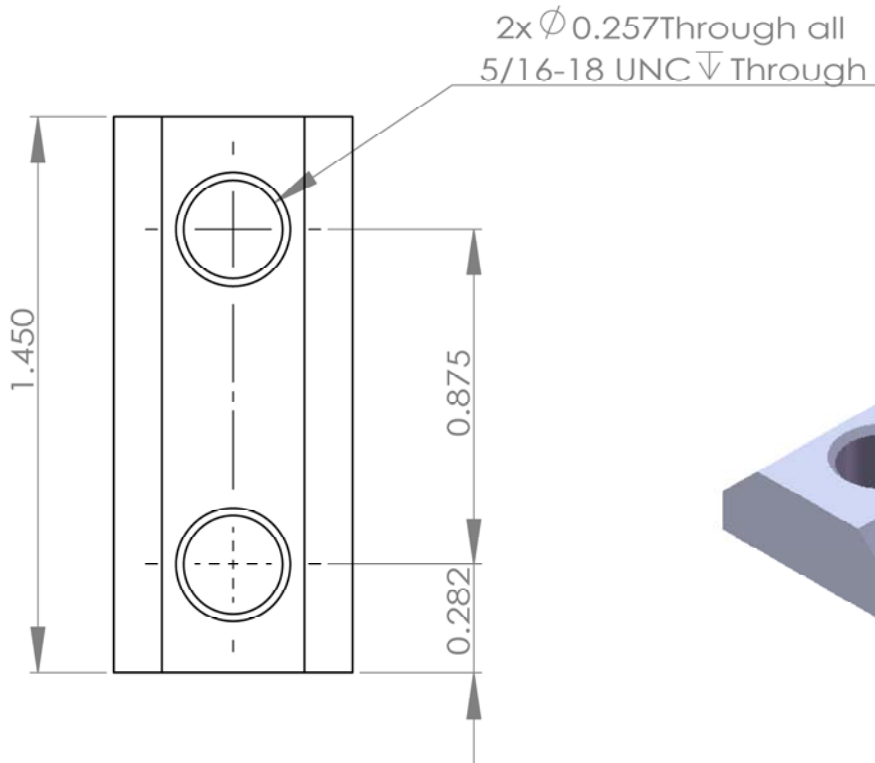
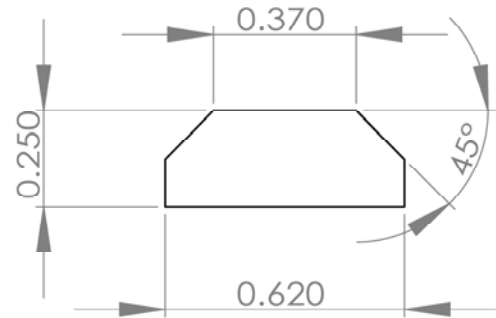


## Short Double T-Nut with Bearing

Size With Alignment	Metric Size	Item Number
<b>8MM</b>	M4	TNSB-8DBLS-M4
	M6	TNSB-8DBLS-M6
	M8	TNSB-8DBLS-M8
	1/4-20	TNSB-8DBLS-20
	10-32	TNSB-8DBLS-32
	5/16-18	TNSB-8DBLS-18



## Short Double T-Nut with Bearing

Material: Carbon Steel

Note: Bearing – not shown on diagrams

