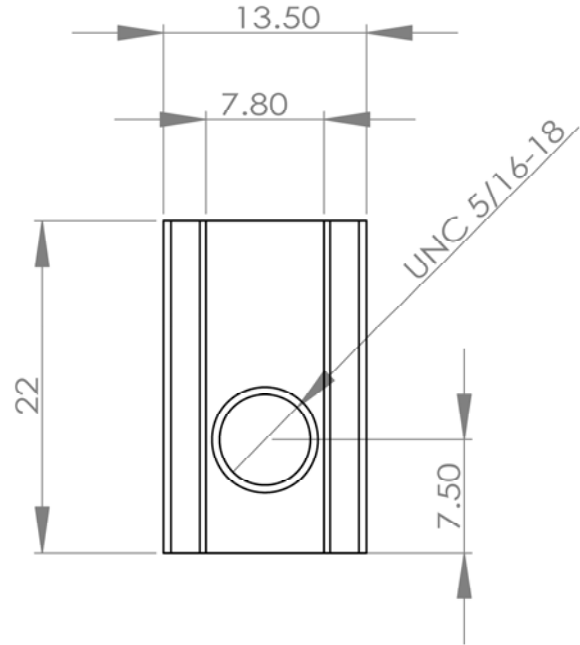
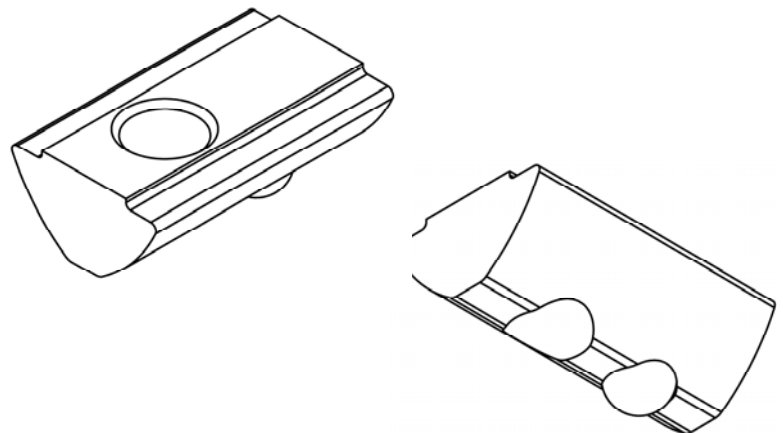
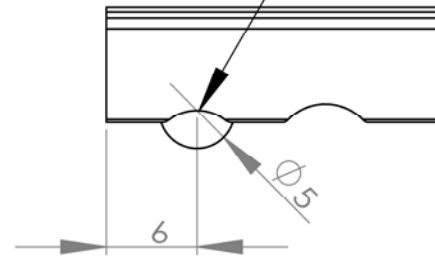
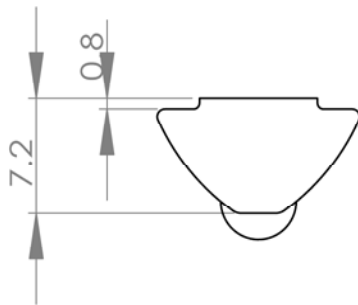


### T-Nuts (Spring Bearing High Bar)

Slot Size	Metric Size	Item Number
<b>High Alignment Bar (H)</b>		
<b>8MM HB</b>	M4	TNS-H8-M4
	M5	TNS-H8-M5
	M6	TNS-H8-M6
	M8	TNS-H8-M8
	1/4-20	TNS-H8-20
	10-32	TNS-H8-32
	5/16-18	TNS-H8-18



Spring loaded ball retention



### T-Nuts (Spring Bearing High Bar)

Material:

Surface:

Standard T-Slot Nut for 8 Profile